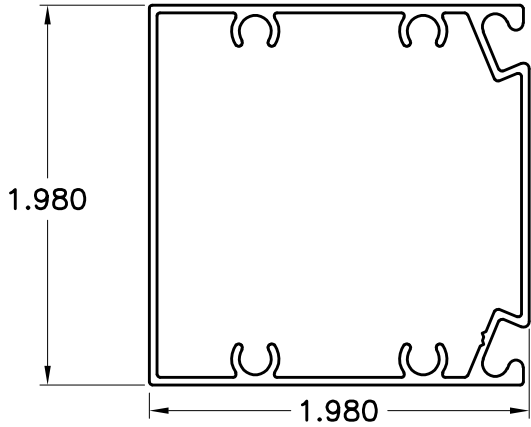




ALUMINUM PRODUCTS LLC
 (407) 323-3300, FX (407) 322-3507
 www.benada.com

STANDARD PATIO SHAPES

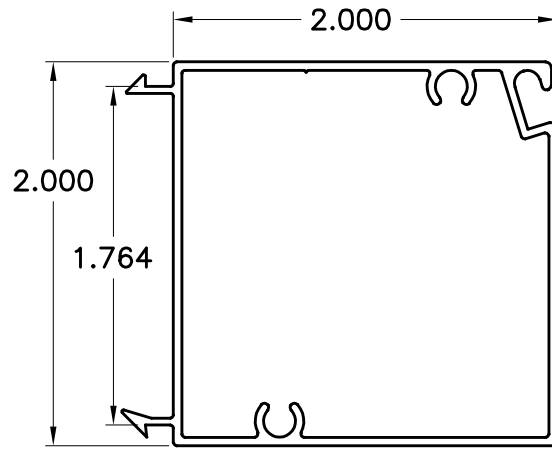
PS1



1686

2 x 2 PATIO BEAM

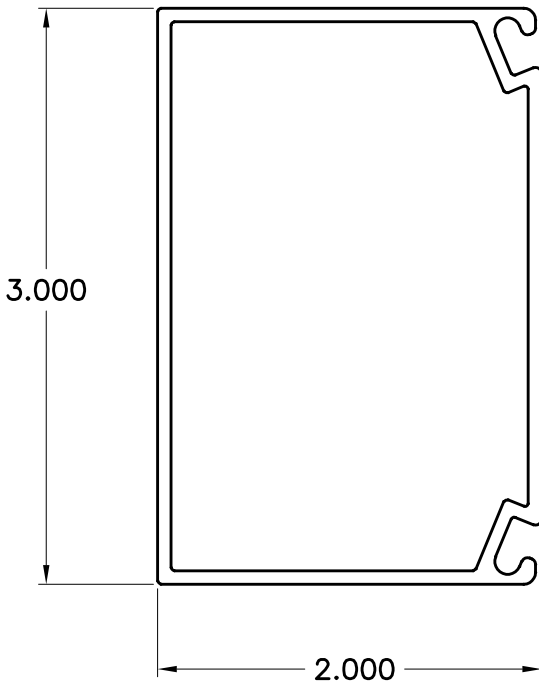
WT/FT: .499



8790

2 X 2 X .044W
 PERIMETER SNAP

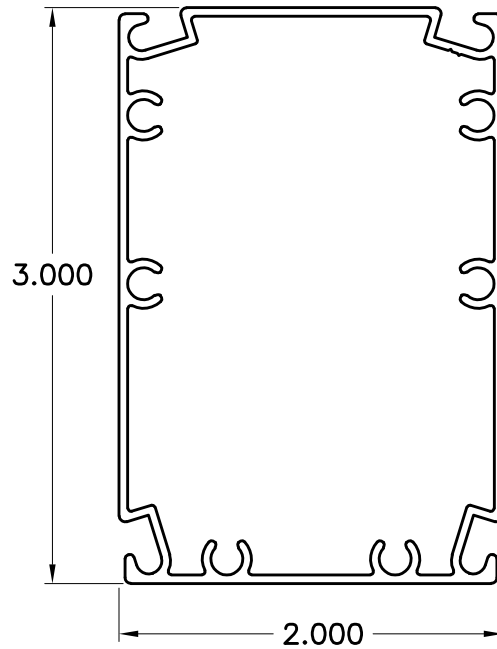
WT/FT: .504



8354

3 X 2 PATIO W
 SPLINES

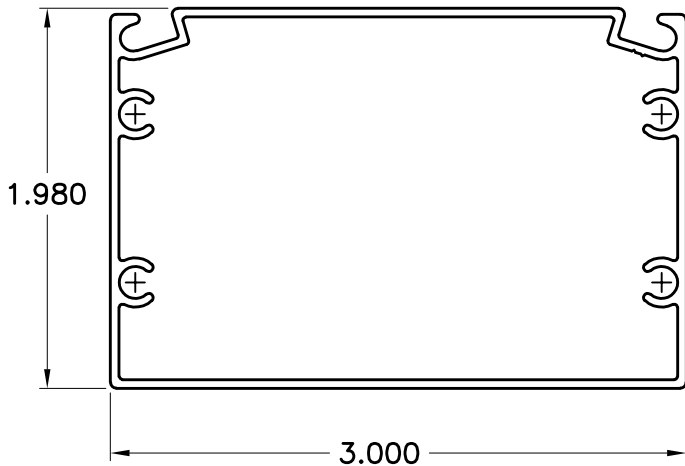
WT/FT: .859



8407

2 X 3 X .045W
 PATIO SHAPE

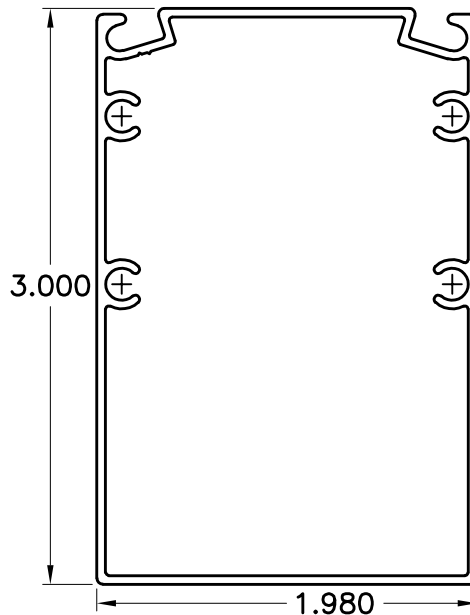
WT/FT: .725



8471

3 X 2 PATIO

WT/FT: 639



9120

2 X 3 PATIO

WT/FT: 652