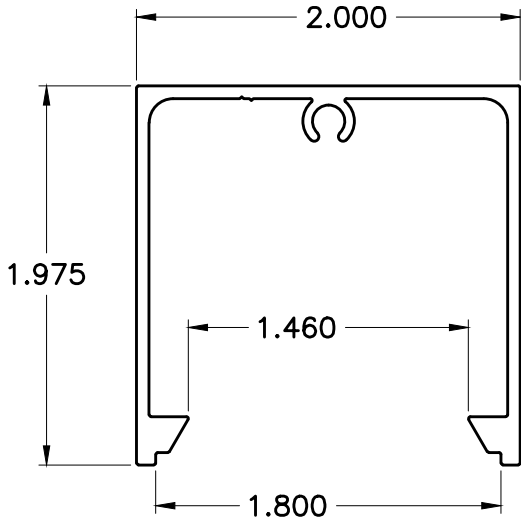
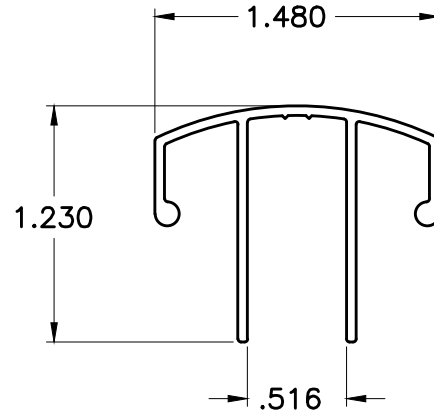


5491



WT/FT: .577

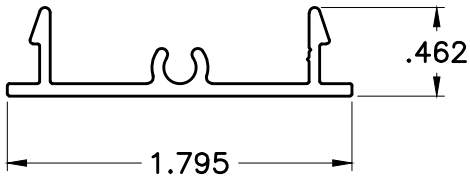
8604



TOP CAP

WT/FT: .298

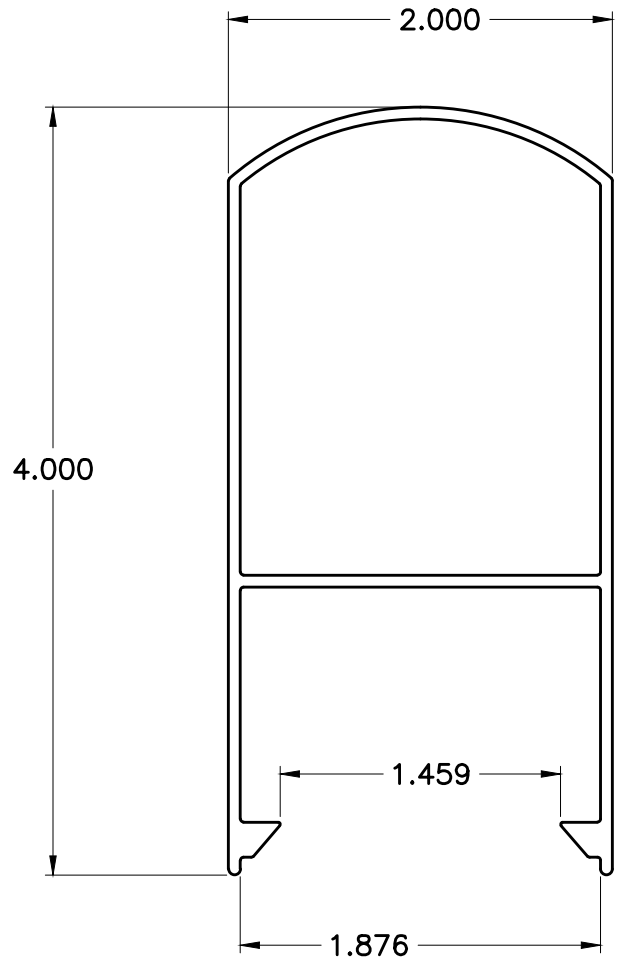
5493



1.795 x .455 x .062w
 SNAP PLATE

WT/FT: .233

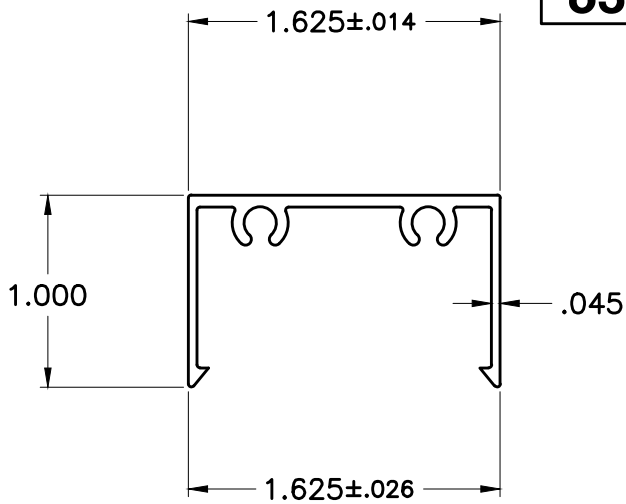
8979



TOP CAP 2x4x.060" WALL

WT/FT: .895

8370



1.625 x 1.0
 SNAP CHANNEL

WT/FT: .293