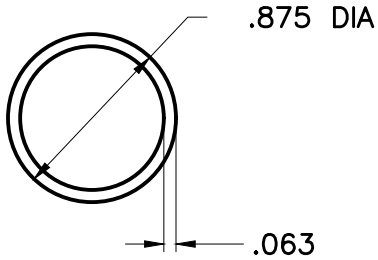


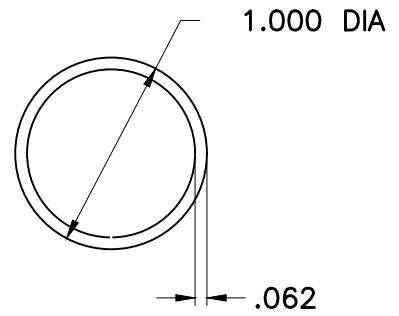
8169



.875" ROUND TUBE

WT/FT: .192

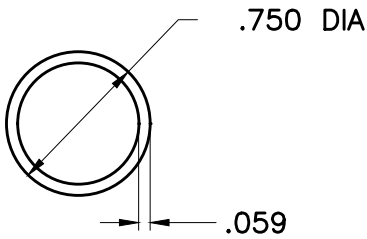
8747



1" DIA X .062" TUBE

WT/FT: .220

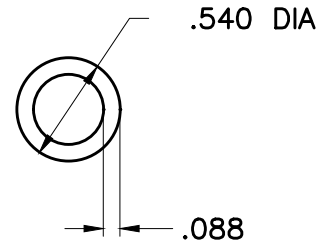
9009



3/4 DIA X .059W PIPE

WT/FT: .154

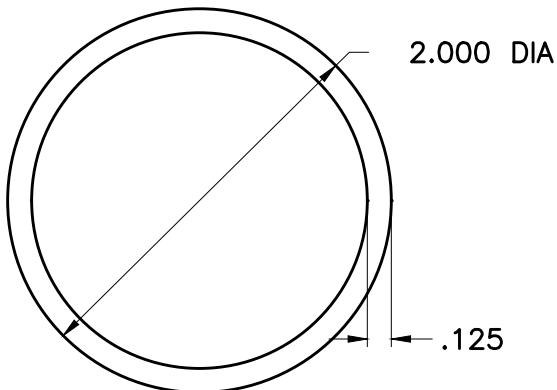
9010



1/4" pipe SCH 40

WT/FT: .150

8829



2" OD X .125 W
TUBE ROUND

WT/FT: .883