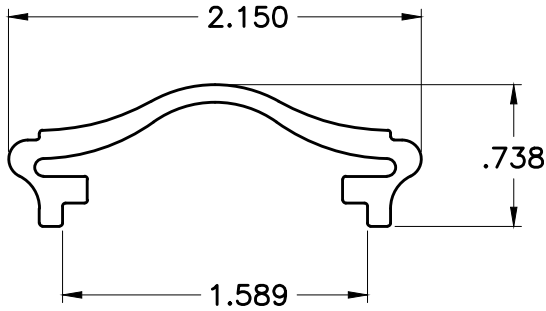


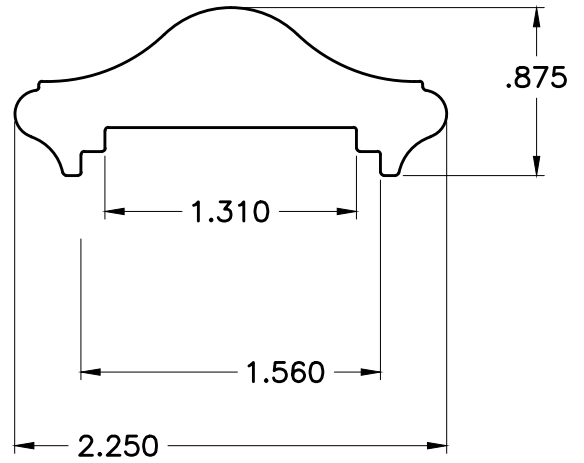
8228



RAILING TOP CAP

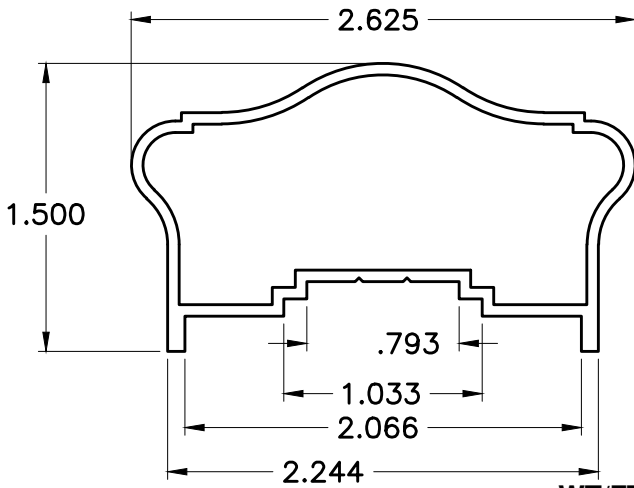
WT/FT: .464

9056



WT/FT: 1.163

8863



TOP CAP (DIXIE)

WT/FT: .553